

Parts



GX19 Electric Airless Sprayer

3A4242B

EN ZH

For professional use only.

Not approved for use in explosive atmospheres or hazardous locations.

For portable airless spraying of architectural paints and coatings.

Model: 17M853

3000 psi (207 bar, 20.7 MPa) Maximum Working Pressure.

User supplied spray gun and hose must be rated at a minimum of 3000 psi (207 bar, 20.7 MPa).



Important Safety Instructions

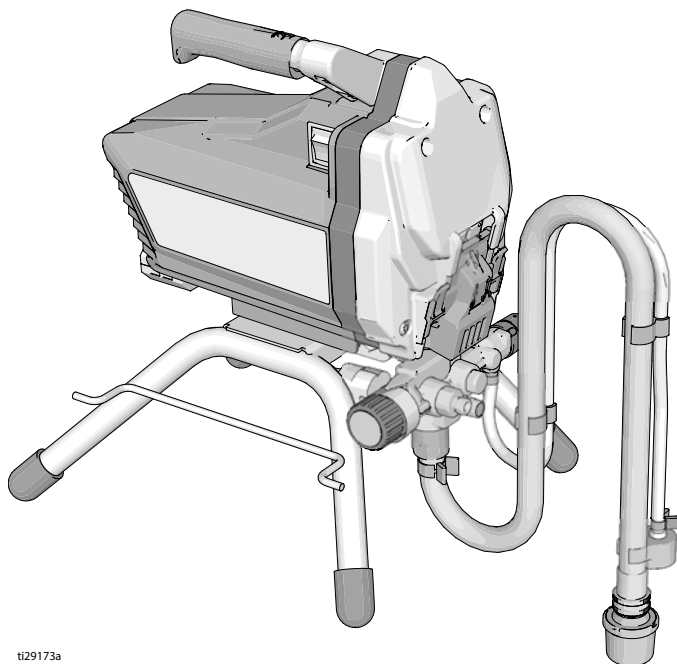
Read all warnings and instructions in this manual and related manuals. Be familiar with the controls and the proper usage of the equipment. Save these instructions.

Related Manuals

Operation 3A3212 English

相关手册

手术 3A3310 中文



ti29173a

PROVEN QUALITY. LEADING TECHNOLOGY.

GX19 电动无气喷涂机

仅限专业人员使用。

不得用于爆炸性环境或危险场所。

用于建筑喷涂的轻便型无气喷涂机。

型号：GX17M853

3000 磅 / 平方英寸 (207 巴， 20.7 兆帕) 最大工作压力。

用户提供的喷枪和软管必须至少 3000 磅 (207 巴， 20.7 兆帕) 的额定






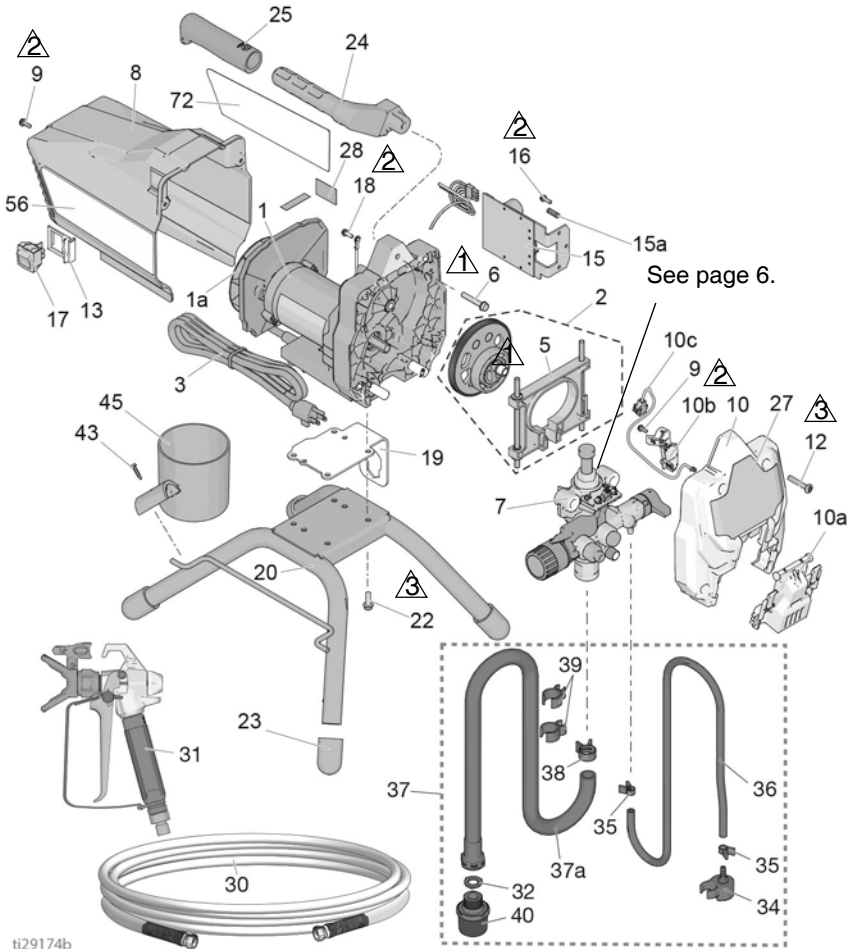
重要安全说明

请阅读本手册、相关手册和设备（包括电源线）上的所有警告及说明。熟悉该设备的控制装置和正确用法。妥善保存这些说明。

17M853 Stand Sprayer

17M853 Stand Sprayer

Ref.	Torque
	140-160 in-lb (16 - 18 N•m)
	30-35 in-lb (3.5 - 4.0 N•m)
	110-120 in-lb (12 - 14 N•m)



ti29174b

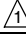

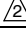
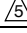
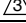
17M853 Stand Sprayers Parts List

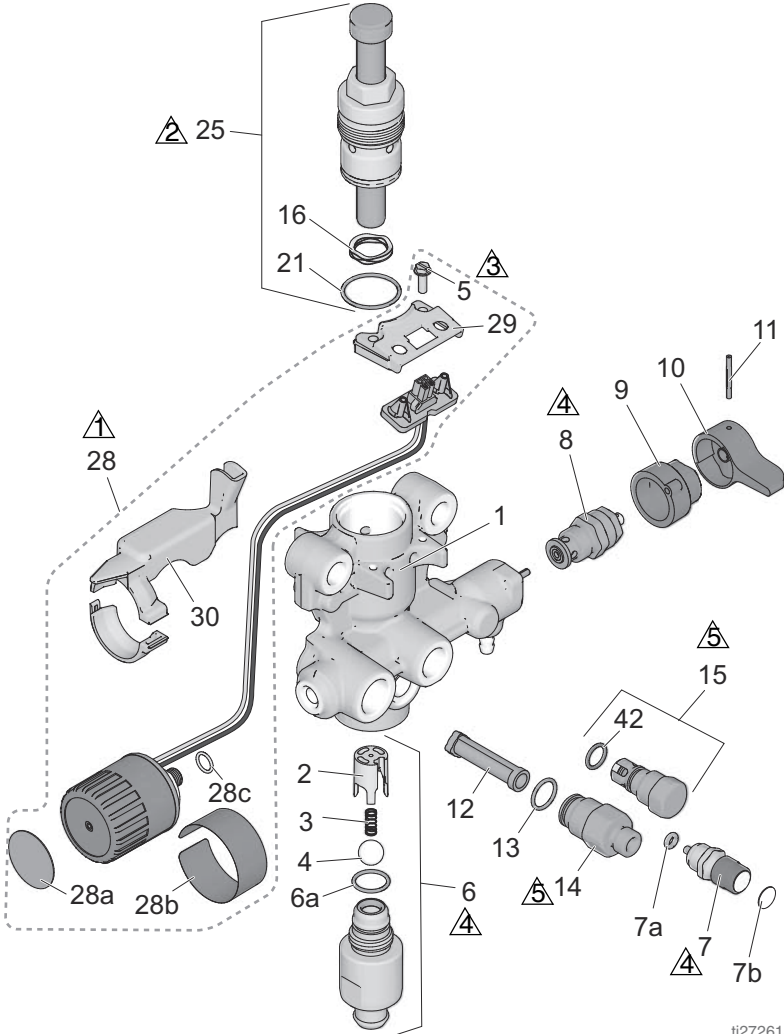
Ref.	Part	Description	Qty.	Ref.	Part	Description	Qty.
1	17F758	KIT, motor, 230V <i>includes 1a</i>	1	20	15E823	FRAME, standmount	1
1a	16X980	KIT, fan, 230V	1	22	260212	SCREW, hwh, thread forming	4
2	17J863	KIT, gear and yoke <i>includes 5</i>	1	23	15G857	CAP, leg	4
3	17J405	CORD, power	1	24	276864	HANDLE, sprayer	1
5	17J864	KIT, yoke	1	25	116139	GRIP, handle	1
6	117493	SCREW, mach, hwhd	1	27	17J025	LABEL, front	1
7	17K842	PUMP, displacement	1	30	240794	HOSE, 1/4 x 50'	1
8	17J865	SHIELD, motor <i>includes 9, 56</i>	1	31	25R553	GUN, spray, packaged	1
9	118444	SCREW, mach, hwhd 10-24 x 0.5 in.	3	32	115099	WASHER, hose	1
10	17J866	KIT, cover, front <i>includes 9, 10a, 10b, 10c, 12</i>	1	34	244035	DEFLECTOR, barbed	1
10a	17F233	COVER, pump, locking	1	35	115489	CLAMP, drain tube	2
10b	17F262	COVER, wire	1	36	195084	TUBE, drain	1
10c	128551	CABLE, PC, jumper	1	37	17D156	TUBE, suction, assembly <i>includes 32, 34, 35, 36, 37a, 38, 39, 40</i>	1
12	115478	SCREW, mach, Torx, pan hd	4	37a	17D155	TUBE, suction <i>includes 32</i>	1
13	15X737	SWITCH, bracket	1	38	116295	CLAMP, tube	1
15	17J885	KIT, control <i>includes 15a, 16</i>	1	39	195400	CLIP, spring	2
15a	119276	FUSE, 12.5A slow blow	1	40	288716	KIT, strainer	1
16	117501	SCREW, plastite	1	56▲	17K017	LABEL, warning	1
17	118899	SWITCH, rocker	1	57▲	17A134	CARD, medical alert (not shown)	1
18	115498	SCREW, mach, slot, hex whd	1	68	195551	RETAINER, plug	1
19	17G329	PLATE, motor, mount	1	69	242005	CORD SET, AU	1
				72	17J026	LABEL, side, GX 19	1

▲ Replacement Danger and Warning labels, tags, and cards are available at no cost.

Pump Assembly Parts

Pump Assembly Parts

Ref.	Torque	Ref.	Torque
 1	140-160 in-lb (16 - 18 N•m)	 4	220-250 in-lb (25 - 28 N•m)
 2	270-330 in-lb (30 - 37 N•m)	 5	320-380 in-lb (36 - 43 N•m)
 3	30-35 in-lb (3.5 - 4.0 N•m)		



ti27261a

Pump Parts List

Ref. Part	Description	Qty.	Ref. Part	Description	Qty.
1	17G447 HOUSING, pump	1	14	24Y327 KIT, repair outlet	1
2	17D364 GUIDE, ball	1		<i>includes 12, 13</i>	
3	128336 SPRING, compression	1	15	17J880 KIT, outlet valve repair	1
4	105445 BALL, 0.5 in.	1		<i>includes 42</i>	
5	117501 SCREW, mach, slot	2	16	128323 SPRING, valve	1
	HWH		21	16D531 PACKING, O-ring	1
6	17J876 KIT, inlet housing	1	25	24Y472 KIT, repair, piston pump	1
	<i>includes 2, 3, 4, 6a</i>			<i>includes 16, 21</i>	
6a	124582 PACKING, O-ring	1	28	17J881 KIT, pressure control	1
7	17J878 KIT, PushPrime	1		<i>includes 5, 28a, 28b,</i>	
	<i>includes 7a, 7b</i>			<i>29, 30</i>	
7a	16P303 PACKING, O-ring	1	28a	15A464 LABEL, control	1
7b	17K420 LABEL, PushPrime	1	28b	17C831 LABEL, control	1
8	235014 VALVE, drain, assy. 9,	1	28c	106555 O-ring	1
	<i>10, 11</i>		29	17F227 BRACKET, electrical	1
9	224807 BASE, valve <i>includes</i>	1		connector	
10	187625 HANDLE, valve, drain	1	30	17F229 KIT, shield, wire	1
11	111600 PIN, grooved	1	42	122486 PACKING, O-ring	1
12	288747 KIT, filter	1			
13	120776 PACKING, O-ring	1			

Graco Information

For the latest information about Graco products, visit www.graco.com.

For patent information, see www.graco.com/patents.

TO PLACE AN ORDER, contact your Graco distributor or call 1-800-690-2894 to identify the nearest distributor.

All written and visual data contained in this document reflects the latest product information available at the time of publication.

The manufacturer reserves the right to make changes at any time without notice.

Original Instructions. This manual contains English. MM 3A4242
技术手册原文翻译。This manual contains Chinese. MM 3A4242

GRACO INC. AND SUBSIDIARIES • P.O. BOX 1441 • MINNEAPOLIS MN 55440-1441 • USA

Copyright 2016, Graco Inc. All Graco manufacturing locations are registered to ISO 9001.
www.graco.com

Revision B, February 2020